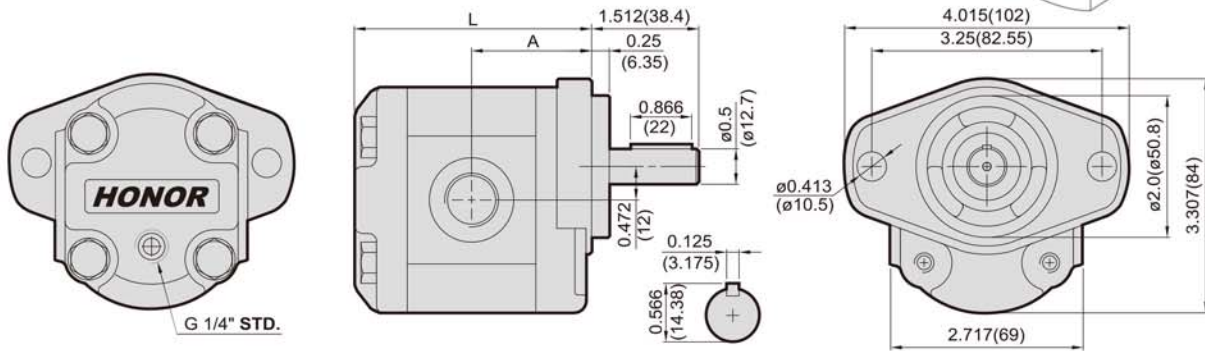


1M SERIES BI-DIRECTIONAL PUMPS / MOTORS

OVERALL DIMENSIONS



ORDERING EXAMPLE

For Example **1** **M** **M** **2** **U** **□□**
 SERIES TYPE FLANGE SHAFT PORT DISPL.

If you need pump with displ.0.31 c.i.r., the model number is: **1MM2U05**

※ Please note when using bi-directional or one direction or motor the case drain should not be plugged.

PERFORMANCE DATA

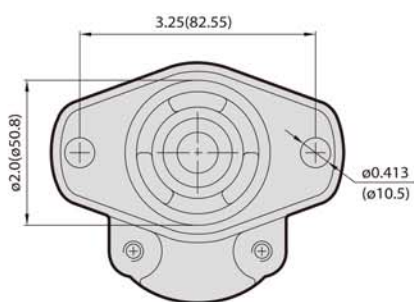
MODEL	DISPLACEMENT		PRESSURE psi(MPa)		RPM RANGE	DIMENSIONS inch (mm)		WEIGHT	
	c.i.r	cm ³ /r	CONTINUOUS	MAX.		A	L	Kg	LBS
01	0.08	1.3	3300(23)	3800(27)	600	1.655(42.0)	3.271(83.1)	1.75	3.85
02	0.12	2.0	3300(23)	3800(27)		1.694(43.0)	3.350(85.1)	1.79	3.94
27	0.16	2.7	3300(23)	3800(27)		1.734(44.0)	3.428(87.1)	1.83	4.03
35	0.21	3.4	3300(23)	3800(27)	4000	1.773(45.0)	3.507(89.1)	1.86	4.09
04	0.25	4.1	3300(23)	3800(27)		1.813(46.0)	3.586(91.1)	1.90	4.18
05	0.31	5.1	3300(23)	3800(27)		1.872(47.5)	3.704(94.1)	1.95	4.29
06	0.37	6.1	3300(23)	3800(27)	(*)2500	1.931(49.0)	3.822(97.1)	2.00	4.40
07	0.45	7.4	3100(22)	3500(25)		2.009(51.0)	3.980(101.1)	2.06	4.53

*More then 2500 qualified per applications.

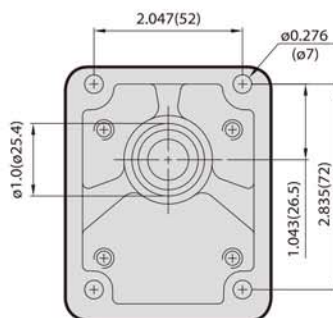
PORTS

Code	From "01" to "06"	MODEL "07"
	INLET & OUTLET	INLET & OUTLET
U	UNF#8 3/4"-16	UNF# 10 7/8"-14
P	PT 1/2"	PT 3/4"
N	NPT 1/2"	NPT 3/4"
B	BSPF 1/2"	BSPF 3/4"

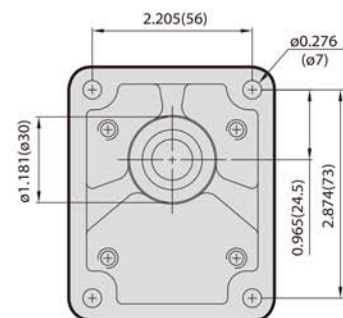
MOUNTING FLANGES



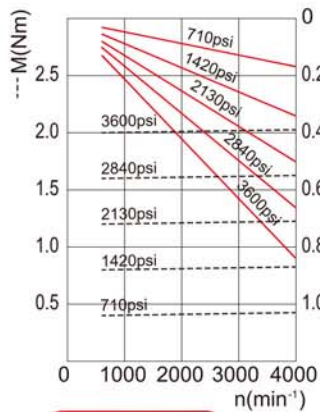
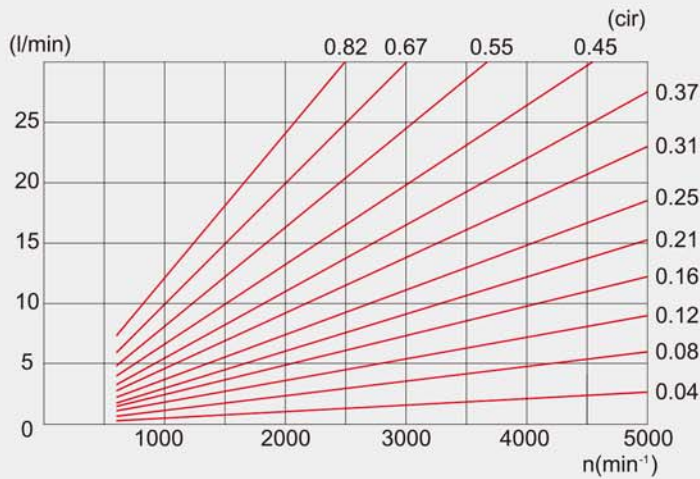
1G Series-Code:G
1M Series-Code:M



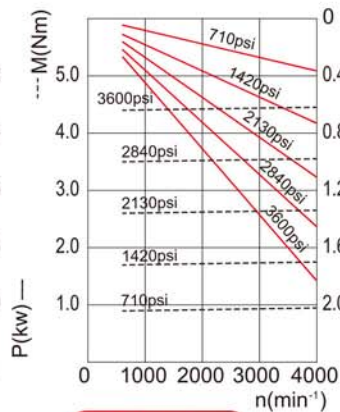
Code:C



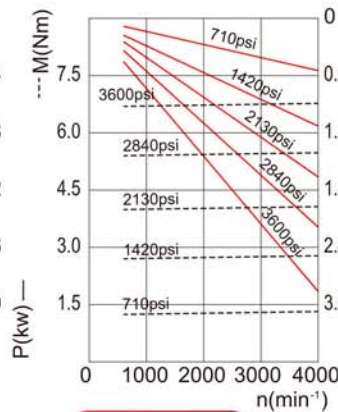
Code:E



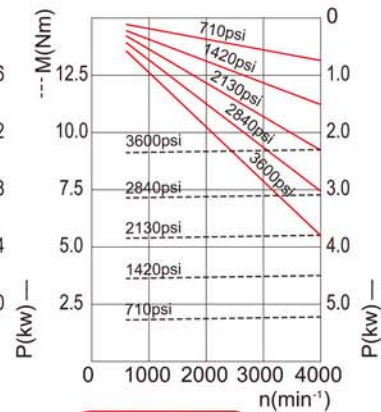
MODEL:05



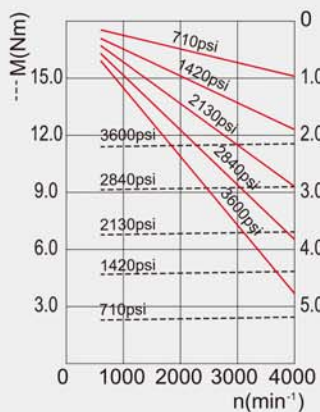
MODEL:01



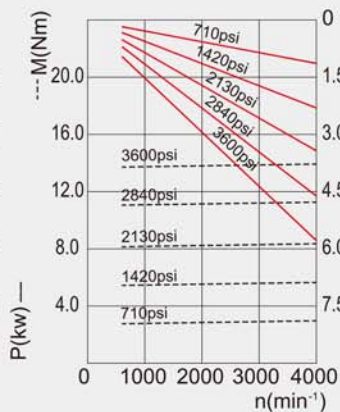
MODEL:02



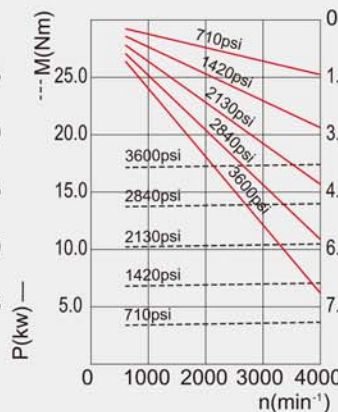
MODEL:27



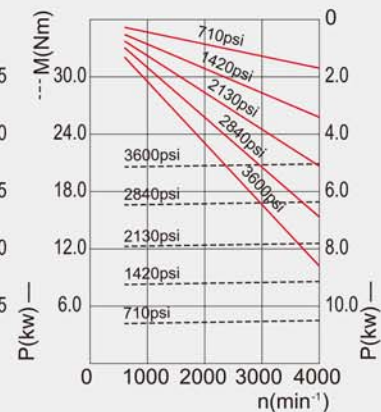
MODEL:35



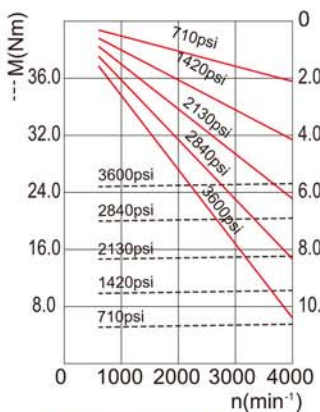
MODEL:04



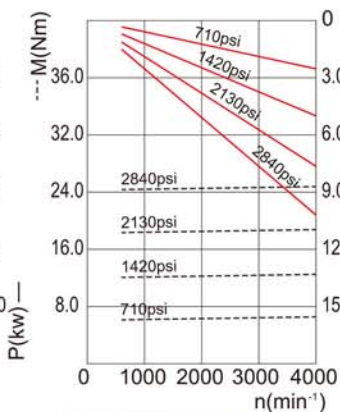
MODEL:05



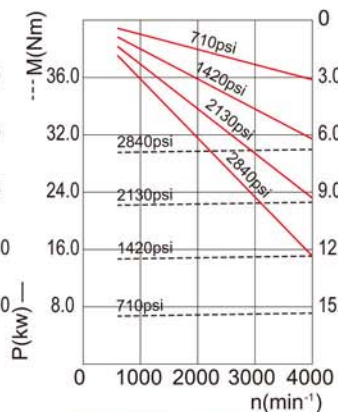
MODEL:06



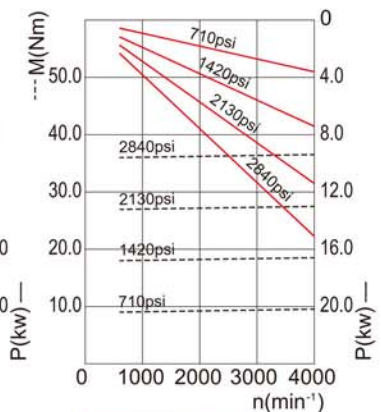
MODEL:07



MODEL:09



MODEL:11



MODEL:13